

# z/OS Introduction and Workshop

z/OSMF



# Unit objectives

After completing this unit, you should be able to:

- Describe z/OSMF
- Describe purpose of z/OSMF
- List a few z/OSMF services

# *IBM z/OS Management Facility Programming Guide*

---

## **Chapter 1. Using the z/OSMF REST services**

z/OSMF supports the use of Representational State Transfer (REST) APIs, which are public APIs that your application can use to work with system resources and extract system data. As with implementations of REST services on other platforms, the z/OSMF APIs allow for easy-to-use services that are language- and platform-independent, stateless, scalable, and easily parsed.

SDSF STATUS DISPLAY ALL CLASSES LINE 1

COMMAND INPUT ==>

PREFIX=IZU\* DEST=(ALL) OWNER=\* SYSNAME=

NP	JOBNAME	JobID	Owner	Max-RC	Prty	Queue	C
	IZUANG1	STC03005	IZUSVR		15	EXECUTION	
	IZUSVR1	STC03006	IZUSVR		15	EXECUTION	

Display Filter View Print Options Search Help

SDSF JOB DATA SET DISPLAY - JOB IZUSVR1 (STC03006) DATA SET DISPLAYED

COMMAND INPUT ==>

SCROLL ==>

PREFIX=IZU\* DEST=(ALL) OWNER=\* SORT=DSID/A SYSNAME=

NP	DDNAME	StepName	ProcStep	DSID	Owner	C	Dest	Rec-Cnt
}	JESMSG LG	JES2		2	IZUSVR	W		2
	JESJCL	JES2		3	IZUSVR	W		92
	JESYSMSG	JES2		4	IZUSVR	W		2
	STDOUT	IZUSVR1		107	IZUSVR	W		50
	STDOUT	IZUSVR1		108	IZUSVR	W		0
	STDERR	IZUSVR1		109	IZUSVR	W		466

```
ISPF Command Shell  
Enter TSO or Workstation commands below:  
  
===> netstat byte
```

```
IZUSVR1  00000000000000000000000000000000 00000000000000000000000000000000 10443 Listen  
Foreign Socket: :::0
```



# Welcome to z/OS

The highly secure, scalable and resilient enterprise operating system for the IBM z Systems mainframe.

**z/OS USER ID**

**z/OS PASSWORD**

**LOG IN**

[Shopz](#)

[IBM Support](#)

[z Systems Redbooks](#)

[z/OSMF home Page](#)

[WCS Flashes and Techdocs](#)

[z/OS home Page](#)

[z/OS Knowledge Center](#)



Workflows



Workflow Editor



Notifications



Software Services



Sysplex Management



Notification Settings



Incident Log



Network Configuration Assistant



SDSF



General Settings



Import Manager



FTP Servers



ISPF



Capacity Provisioning



Workload Management



Resource Management



Resource Monitoring



Usage Statistics



SDSF Settings



Software Management



z/OS Operator Consoles



Application Linking Manager



System Status



links



ibmuser ^



1 - DB2@PRIM x

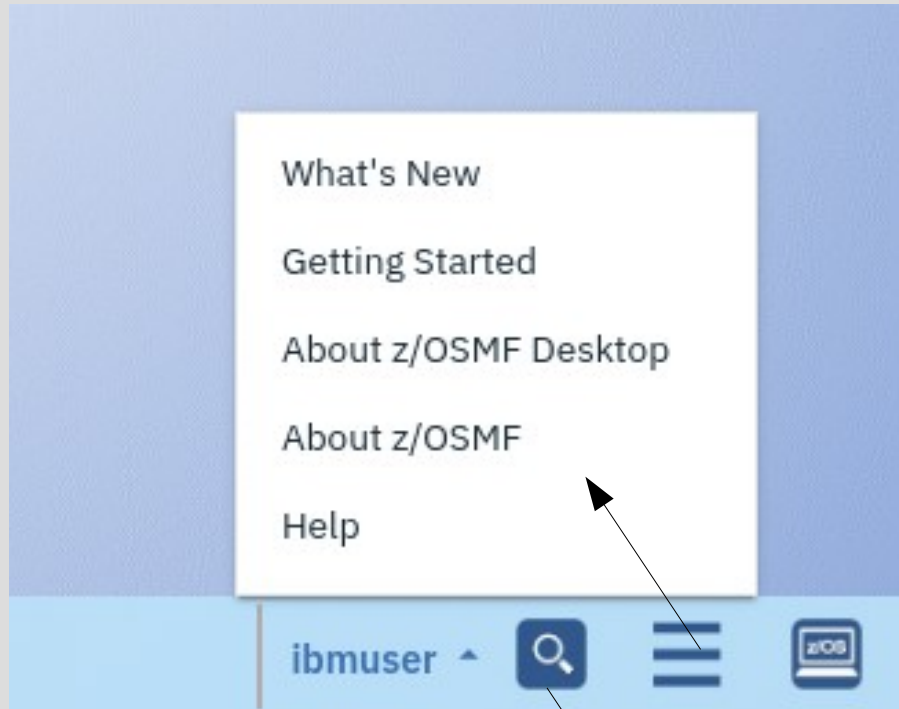
Menu Utilities Compilers Options Status Help

ISPF Primary Option Menu

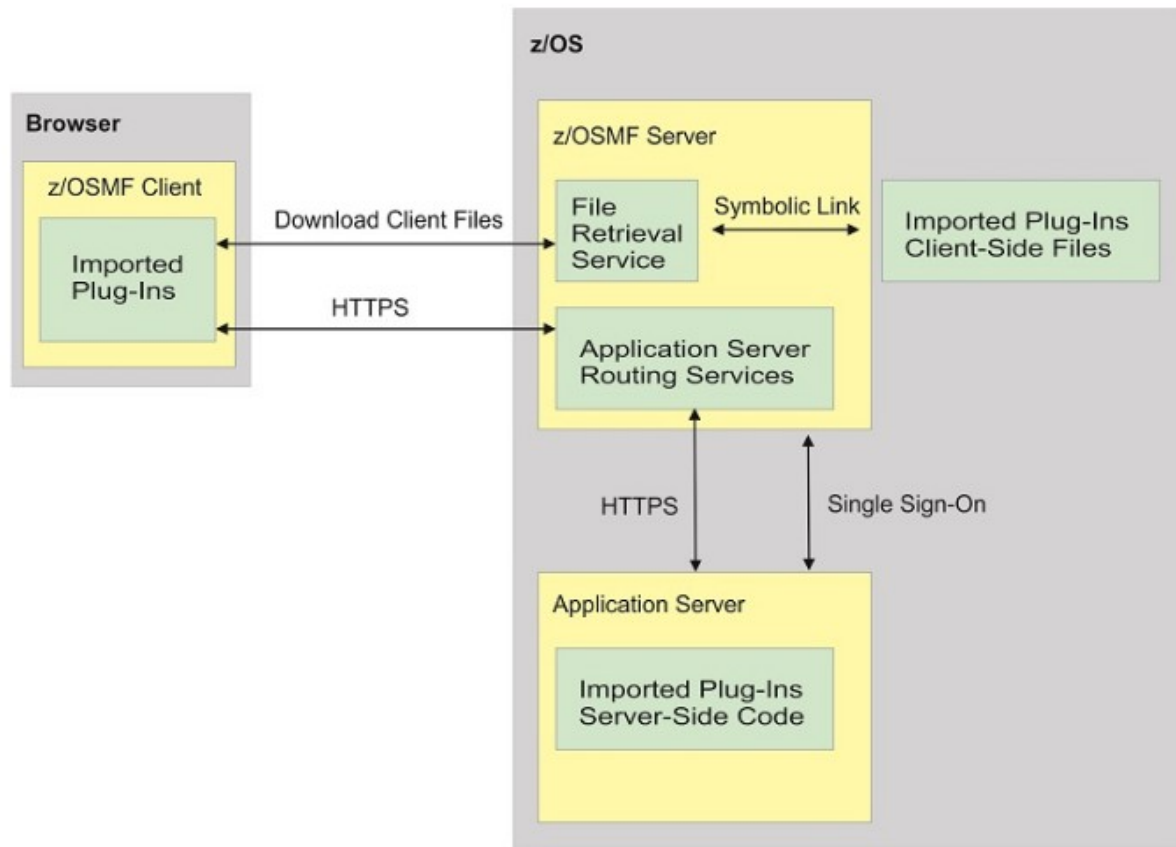
Option ==>

0	Settings	Terminal and user parameters	User ID . . : IBMUSER
1	View	Display source data or listings	Time. . . : 09:35
2	Edit	Create or change source data	Terminal. : 3290A
3	Utilities	Perform utility functions	Screen. . : 1
4	Foreground	Interactive language processing	Language. : ENGLISH
5	Batch	Submit job for language processing	Appl ID . : ISR
6	Command	Enter TSO or Workstation commands	TSO logon : DBPROCCG
7	Dialog Test	Perform dialog testing	TSO prefix: IBMUSER
8	LM Facility	Library administrator functions	System ID : S0W1
9	IBM Products	IBM program development products	MVS acct. : FB3
10	SCLM	SW Configuration Library Manager	Release . . : ISPF 7.3





Data Set Access



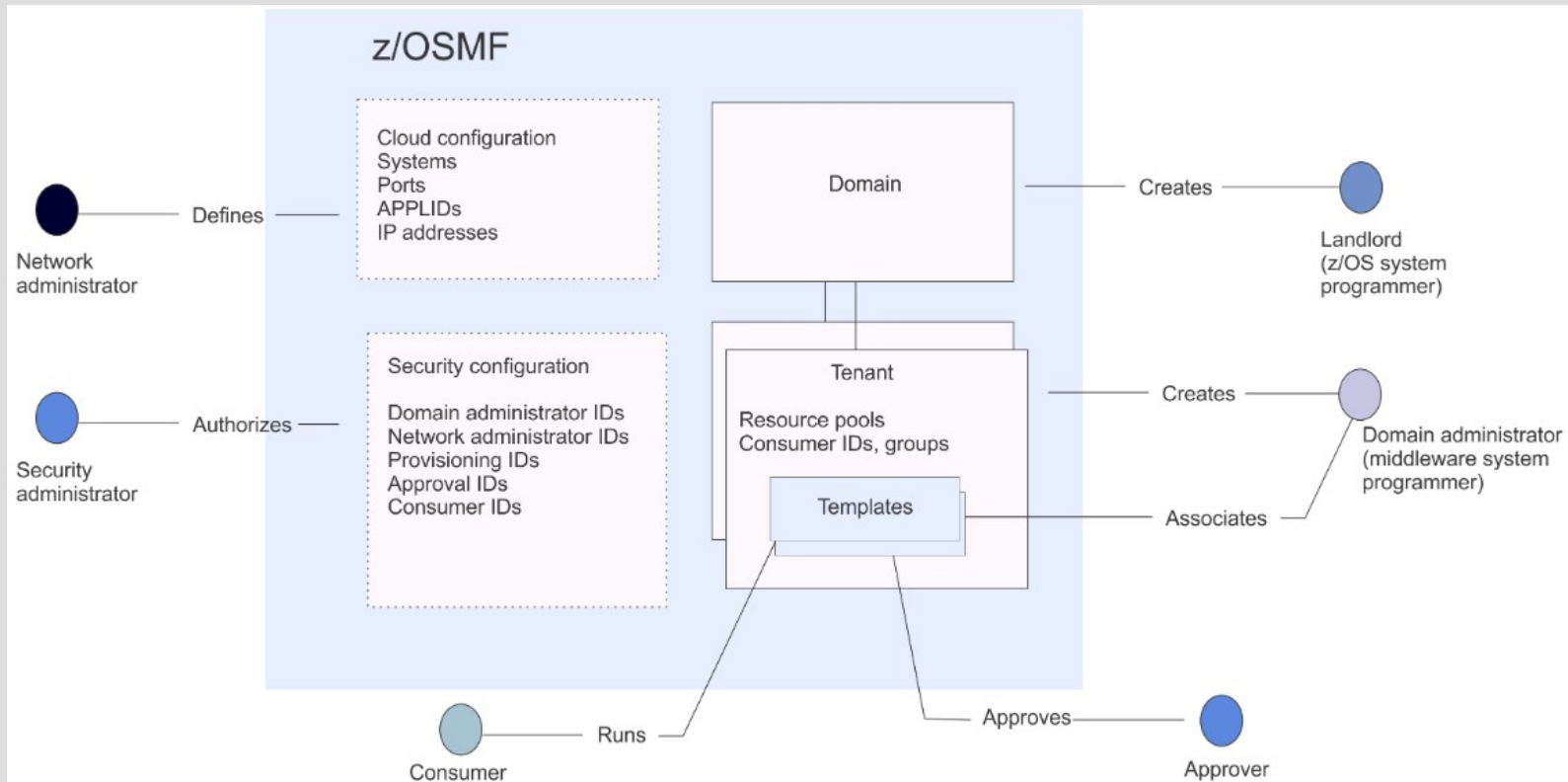


Figure 21. Cloud Provisioning Summary

— IBM z/OS Management Facility

↓ Download all IBM z/OS Management Facility publications to ZIP file  
2 PDFs, 8.05MB total size (uncompressed)

▲ Title	◇ Order number	◇ Last modified	◇ Download
<b>IBM z/OS Management Facility Configuration Guide</b>	SC27-8419-40	23 Jun 2020	PDF <a href="#">izua300_v2r4.pdf</a> (2.29MB)
<b>IBM z/OS Management Facility Programming Guide</b>	SC27-8420-40	23 Jun 2020	PDF <a href="#">izua700_v2r4.pdf</a> (5.76MB)

# Unit summary

Having completed this unit, you should be able to:

- Describe z/OSMF
- Describe the purpose of z/OSMF
- List a few z/OSMF services

